

BOX SCORE: \*\*\* FINAL \*\*\*  
 Team: Fleming-Neon

Date: 03-23-88 Site: State Tourney, Frankfort Attendance: 3,825

NO.	NAME	TOTAL FG		3-POINT		FT	FTA	REB			PF	TP	A	TD	BLK	S	MIN
		FG	FGA	FG	FGA			O	D	T							
14	Sexton, Chris.	4	8	0	0	1	2	3	2	5	2	9	1	2	0	0	32
21	Harlow, Kristan	5	8	0	0	5	6	3	3	6	4	15	2	4	0	1	32
52	Hall, Vicki	1	2	0	0	2	2	2	7	9	1	4	0	2	0	0	32
03	Bates, Lora	4	9	0	0	0	0	1	1	2	4	8	1	1	0	2	32
23	Kincer, Beth	7	12	0	0	2	3	0	1	1	5	16	4	7	0	1	32
TEAM								1		1							
TOTALS		21	39	0	0	10	13	10	14	24	16	52	8	16	0	4	160
Percentages:		Game-----	FG	21/ 39	53.8%	3-PT.	0/ 0	0.0%	FT	10/ 13	76.9%						
Period 1			5/ 7	71.4%	0/ 0	0.0%	1/ 2	50.0%									
Period 2			6/ 17	35.3%	0/ 0	0.0%	1/ 3	33.3%									
Period 3			7/ 8	87.5%	0/ 0	0.0%	2/ 2	100.0%									
Period 4			3/ 7	42.9%	0/ 0	0.0%	6/ 6	100.0%									

Team: Ohio County

NO.	NAME	TOTAL FG		3-POINT		FT	FTA	REB			PF	TP	A	TD	BLK	S	MIN
		FG	FGA	FG	FGA			O	D	T							
14	Burden, Donna	5	14	0	1	4	5	0	0	0	4	14	0	2	0	3	23
24	Whitten, Steph.	2	4	0	0	1	1	4	1	5	3	5	0	4	1	3	30
34	Hawes, Kerri	4	6	0	0	0	0	4	6	10	1	8	2	1	0	2	30
10	Carter, Missy	3	10	0	0	5	9	0	1	1	2	11	4	2	0	1	32
12	Riley, Debra	8	11	0	0	1	2	4	1	5	2	17	2	4	0	1	30
54	Johnson, M.	1	1	0	0	0	0	0	0	0	1	2	0	0	0	0	13
42	Burdin, Rachael	0	1	0	0	0	0	0	0	0	0	0	1	0	0	0	2
TEAM								1	1	2							
TOTALS		23	47	0	1	11	17	13	10	23	13	57	9	13	1	10	160
Percentages:		Game-----	FG	23/ 47	48.9%	3-PT.	0/ 1	0.0%	FT	11/ 17	64.7%						
Period 1			5/ 10	50.0%	0/ 0	0.0%	3/ 6	50.0%									
Period 2			7/ 13	53.8%	0/ 0	0.0%	1/ 1	100.0%									
Period 3			5/ 14	35.7%	0/ 0	0.0%	0/ 0	0.0%									
Period 4			6/ 10	60.0%	0/ 1	0.0%	7/ 10	70.0%									

OFFICIALS: Jan Baker, Ken Catron, Alt.-J. Cupp  
 Technicals: None

SCORE BY PERIODS					
Fleming-Neon	11	13	16	12	= 52
Ohio County	13	15	10	19	= 57

Produced by the K.H.S.A.A. Stat Crew with FINAL III™

Fleming-Neon "Lady Pirates" vs Ohio County "Lady Eagles"  
 2nd Half Play by Play

Tip off at 1:00 p.m. on 03/23/88 at State Tourney, Frankfort  
 Produced by the K.H.S.A.A. Stat Crew with FINAL III™

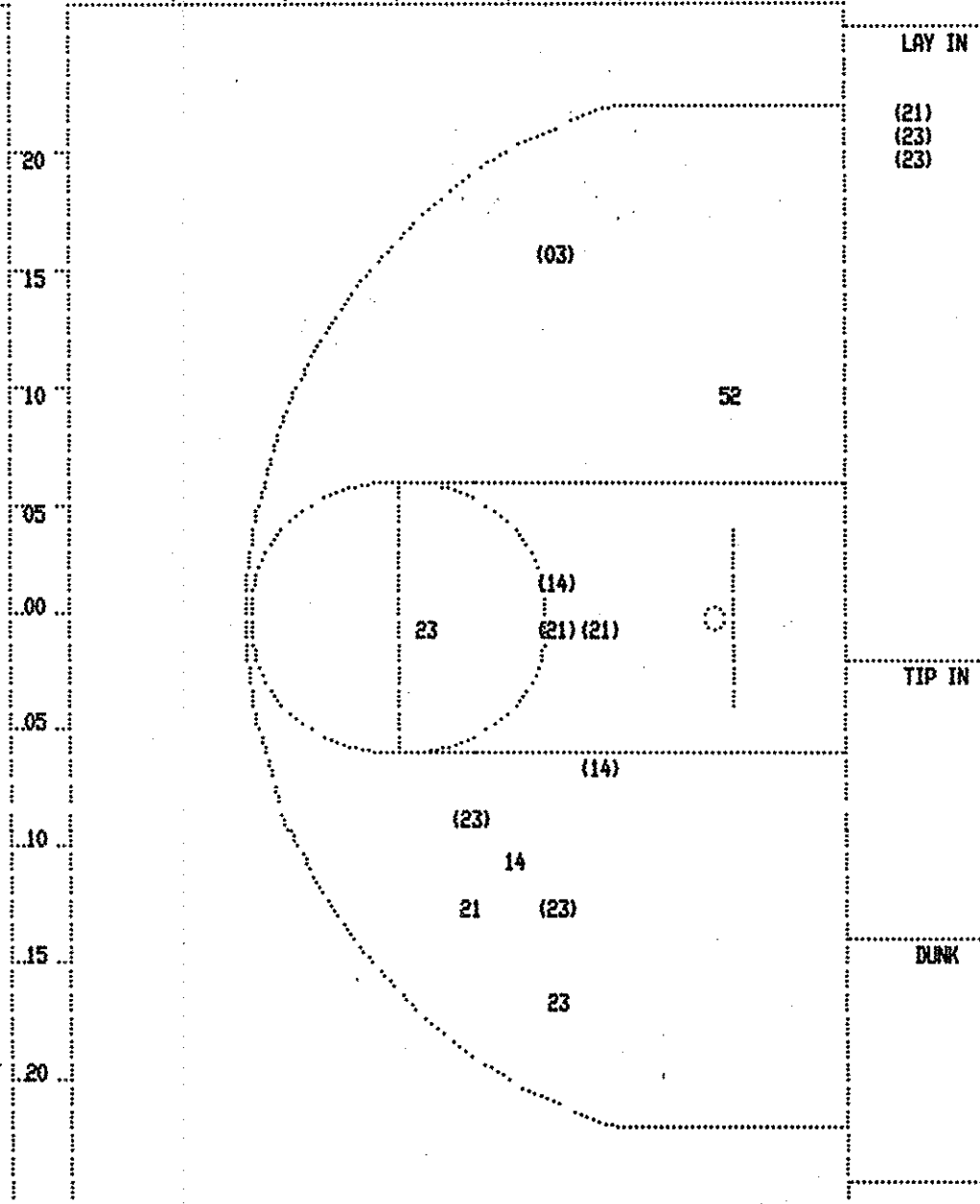
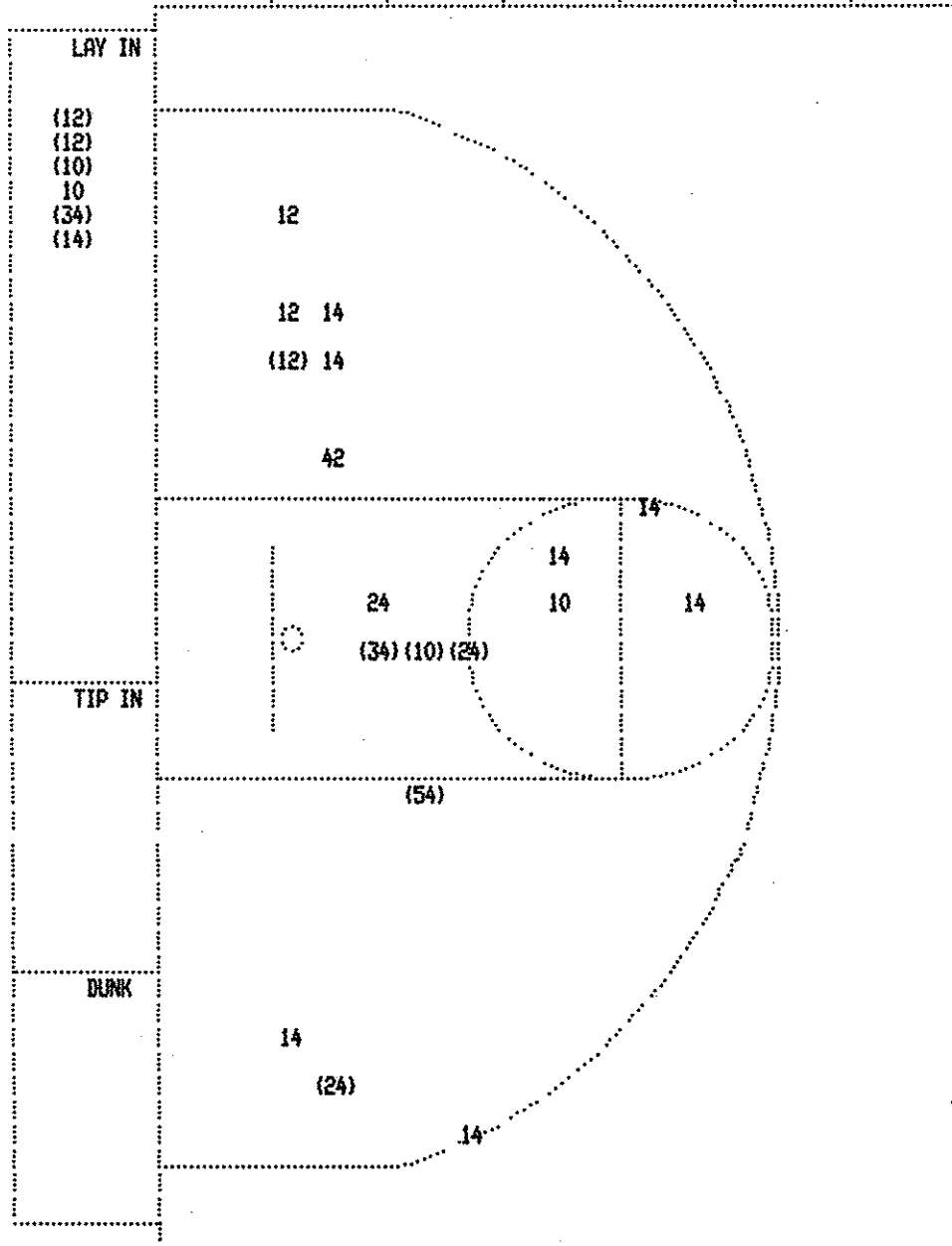
PAGE : 1

Player	Team	Ohio County	Time	Score	Fleming-Neon	Player	Team
Burden, Donna, Whitten, Steph., Hawes, Kerri, Carter, Missy, Riley, Debra					Sexton, Chris., Harlow, Kristan, Hall, Vicki, Bates, Lora, Kincer, Beth		
			3 7:53	28-25*	6 ft Lane Jump shot by Sexton, Chris.	3-6	50.0% 12-25 48.0%
1	1	Foul on Hawes, Kerri	3 7:31				
6-7 85.7% 13-25 52.0%		Layup Off Fast Break by Riley, Debra	3 7:31	*30-25			
7-8 87.5% 14-26 53.8%		Layup Off Fast Break by Riley, Debra	3 6:45	*32-26			
			3 5:57	32-28*	13 ft Right Angle Jump shot by Kincer, Beth	4-7	57.1% 13-26 50.0%
3	2	Foul on Burden, Donna	3 5:20				
		Sub In: Johnson, M. Out: Burden, Donna	3 5:20				
		Sub In: Burdin, Rachael Out: Riley, Debra	3 5:20				
			3 5:04	32-30*	Driving Layup by Harlow, Kristan	3-5	60.0% 14-27 51.8%
					Assist by Sexton, Chris.	1	5
2	3	Foul on Whitten, Steph.	3 4:23				
		Sub In: Riley, Debra Out: Burdin, Rachael	3 4:23				
			3 4:23	32-32*	Hall, Vicki, 2 Free Throws made both	2-2	100% 4-7 57.1%
			3 3:31	32-34*	7 ft Lane Bank by Sexton, Chris.	4-7	57.1% 15-28 53.5%
					Assist by Harlow, Kristan	2	6
8-10 80.0% 15-34 44.1%		12 ft Right Base Line Jump shot by Riley, Debra	3 3:03	*34-34			
4	5	Assist by Carter, Missy					
			3 2:30		Foul on Sexton, Chris.	2	1
2-8 25.0% 16-35 45.7%		Layup Off Fast Break by Carter, Missy	3 1:53	*36-34			
			3 1:29	36-36*	Driving Layup by Kincer, Beth	5-9	55.5% 16-30 53.3%
			3 0:53	36-38*	4 ft Lane Bank by Harlow, Kristan	4-6	66.6% 17-31 54.8%
			3 0:40	*38-38			
3-5 60.0% 17-37 45.9%		2 ft Lane Follow by Hawes, Kerri	3 0:04	38-40*	13 ft Right Side Jump shot by Kincer, Beth	6-10	60.0% 18-32 56.2%

Player	Team	Ohio County	Time	Score	Fleming-Neon	Player	Team			
Burden, Donna	Whitten, Steph.	Hawes, Kerri	Carter, Missy	Riley, Debra	Sexton, Chris.	Harlow, Kristan	Hall, Vicki	Bates, Lora	Kincer, Beth	
1-1	100%	1-1	100%	10 ft Right Base Line Jump shot by Burden, Donna	1 7:59 *2-0					
				Ball to Lady Eagles	1 6:38 2-2*	Driving Layup by Kincer, Beth	1-2	50.0%	1-2	50.0%
						Assist by Harlow, Kristan	1		1	
					1 5:49 2-4*	Follow Layup by Bates, Lora	1-1	100%	2-4	50.0%
					1 5:39	Foul on Bates, Lora	1		1	
2-2	100%	2-5	40.0%	9 ft Left Side Jump shot by Burden, Donna	1 5:33 *4-4					
1-3	33.3%	3-6	50.0%	Layup Off Fast Break by Carter, Missy	1 5:12 *6-4					
				Foul on Whitten, Steph.	1 5:06					
					1 4:10	Foul on Sexton, Chris.	1		2	
0-2	00.0%	0-2	00.0%	Carter, Missy, 2 Free Throws missed both	1 4:10					
1-1	100%	4-8	50.0%	Follow Layup by Hawes, Kerri	1 4:01 *8-4					
				Foul on Riley, Debra	1 3:48					
					1 3:34 8-6*	18 ft Circle Jump shot by Kincer, Beth	2-3	66.6%	3-5	60.0%
					1 3:15 8-8*	4 ft Lane Jump shot by Harlow, Kristan	1-1	100%	4-6	66.6%
						Assist by Kincer, Beth	1		2	
					1 3:01	Foul on Kincer, Beth	1		3	
					1 2:41	Player Control Foul on Kincer, Beth	2		4	
					1 2:25	Foul on Bates, Lora	2		5	
1-4	25.0%	1-4	25.0%	Carter, Missy, 1 & Bonus made 1st missed 2nd	1 2:25 *9-8					
					1 2:08	Foul on Harlow, Kristan	1		6	
3-6	50.0%	3-6	50.0%	Carter, Missy, 2 Free Throws made both	1 2:08 *11-8					
					1 1:27 11-10*	4 ft Lane Bank by Harlow, Kristan	2-2	100%	5-7	71.4%
1-1	100%	5-10	50.0%	14 ft Right Base Line Jump shot by Riley, Debra	1 1:15 *13-10					
				Assist by Carter, Missy	1 0:35					
				Foul on Carter, Missy	1 0:19					
				Foul on Burden, Donna	1 0:19 13-11*	Harlow, Kristan, 2 Free Throws missed 1st made 2nd	1-2	50.0%	1-2	50.0%

Player	Team	Ohio County	Time	Score	Fleming-Neon	Player	Team			
Burden, Donna	Whitten, Steph.	Hawes, Kerri	Carter, Missy	Riley, Debra	Sexton, Chris.	Harlow, Kristan	Hall, Vicki	Bates, Lora	Kincer, Beth	
3-4	75.0%	6-11	54.5%	12 ft Left Base Line Jump shot by Burden, Donna	2 7:54 13-13*	Follow Layup by Sexton, Chris.	1-2	50.0%	6-9	66.6%
				Assist by Carter, Missy	2 7:45 *15-13					
2-2	100%	7-12	58.3%	14 ft Right Side Jump shot by Riley, Debra	2 7:20 15-15*	Follow Layup by Hall, Vicki	1-1	100%	7-11	63.6%
				Sub In: Johnson, M. Out: Hawes, Kerri	2 7:06 *17-15					
3-4	75.0%	8-15	53.3%	12 ft Lane Jump shot by Riley, Debra	2 5:57					
				Assist by Carter, Missy	2 5:57 *19-15					
				Foul on Johnson, M.	2 5:26					
4-5	80.0%	9-16	56.2%	Layup Off Fast Break by Riley, Debra	2 5:26 19-16*	Sexton, Chris., 2 Free Throws made 1st missed 2nd	1-2	50.0%	2-4	50.0%
				Sub In: Hawes, Kerri Out: Whitten, Steph.	2 4:47 *21-16					
					2 4:33					
				REB: 8 A: 3 BLK: 0 TD: 5 PF: 5	2 4:33					
				S: 4 FT: 3-6 50.0% FG: 9-16 56.2%		Fleming-Neon No. 1				
						REB: 10 A: 2 BLK: 0 TD: 8 PF: 6				
						S: 1 FT: 2-4 50.0% FG: 7-15 46.6%				
4-6	66.6%	10-17	58.8%	16 ft Left Base Line Jump shot by Burden, Donna	2 3:56 21-18*	18 ft Right Base Line Jump shot by Kincer, Beth	3-5	60.0%	8-18	44.4%
						Assist by Bates, Lora	1		3	
5-6	83.3%	11-19	57.8%	Follow Layup by Riley, Debra	2 3:33 *23-18					
				Foul on Burden, Donna	2 3:06 *25-18					
				Sub In: Whitten, Steph. Out: Burden, Donna	2 2:34					
					2 2:34	Kincer, Beth, 1 & Bonus missed 1st	0-1	00.0%	2-5	40.0%
					2 2:25 25-20*	Layup Off Fast Break by Bates, Lora	2-6	33.3%	9-20	45.0%
					2 1:41 25-22*	16 ft Left Angle Jump shot by Bates, Lora	3-7	42.8%	10-22	45.4%
						Assist by Kincer, Beth	2		4	
					2 1:21	Foul on Harlow, Kristan	2		7	
1-1	100%	4-7	57.1%	Sub In: Burdin, Rachael Out: Riley, Debra	2 1:21					
				Whitten, Steph., 1 Free Throw made	2 1:21 *26-22					
2-4	50.0%	12-23	52.1%	6 ft Lane Bank by Hawes, Kerri	2 1:02 26-24*	Follow Layup by Sexton, Chris.	2-5	40.0%	11-24	45.8%
				Assist by Burdin, Rachael	2 0:08 *28-24					

SECOND HALF SHOT CHART Produced by the K.H.S.A.A. Stat Crew with FINAL III™



Ohio County					
Player			Player		Player
14 - Burden, Do	1 / 8	12.5%	42 - Burdin, Ra	0 / 1	0.0%
24 - Whitten, S	2 / 3	66.6%	54 - Johnson, M	1 / 1	100.0%
34 - Hawes, Ker	2 / 2	100.0%			
10 - Carter, Mi	2 / 4	50.0%			
12 - Riley, Deb	3 / 5	60.0%			
Layups	1-9 Ft	10-15 Ft	Over 15 Ft	3 Pointers	Total
5 / 6	4 / 6	1 / 7	1 / 4	0 / 1	11 / 24
83.3%	66.7%	14.3%	25.0%	0.0%	45.8%

Flewing-Neon					
Player			Player		Player
14 - Sexton, Ch	2 / 3	66.6%			
21 - Harlow, Kr	3 / 4	75.0%			
52 - Hall, Vick	0 / 1	0.0%			
03 - Bates, Lor	1 / 1	100.0%			
23 - Kincaid, Be	4 / 6	66.6%			
Layups	1-9 Ft	10-15 Ft	Over 15 Ft	3 Pointers	Total
3 / 3	4 / 4	2 / 5	1 / 3		10 / 15
100.0%	100.0%	40.0%	33.3%		66.7%

BOX SCORE: \* OFFICIAL FIRST HALF \* Date: 03-23-88 Site: State Tourney, Frankfort Attendance: 3,325

Team: Fleming-Neon

NO.	NAME	TOTAL FG		3-POINT		FT	FTA	REB			PF	TP	A	TO	BLK	S	MIN
		FG	FGA	FG	FGA			O	D	T							
14	Sexton, Chris.	2	5	0	0	1	2	3	1	4	1	5	0	0	0	0	16
21	Harlow, Kristan	2	4	0	0	1	2	3	2	5	2	5	1	3	0	1	16
52	Hall, Vicki	1	1	0	0	0	0	1	2	3	0	2	0	2	0	0	16
03	Bates, Lora	3	8	0	0	0	0	1	1	2	2	6	1	0	0	1	16
23	Kincer, Beth	3	6	0	0	0	1	0	1	1	2	6	2	4	0	0	16
TEAM								1		1							
TOTALS		11	24	0	0	2	5	9	7	16	7	24	4	9	0	2	80

Percentages:	HALF-----	FG	11/ 24	45.8%	3-PT.	0/ 0	0.0%	FT	2/ 5	40.0%
	Period 1		5/ 7	71.4%		0/ 0	0.0%		1/ 2	50.0%
	Period 2		6/ 17	35.3%		0/ 0	0.0%		1/ 3	33.3%

Team: Ohio County

NO.	NAME	TOTAL FG		3-POINT		FT	FTA	REB			PF	TP	A	TO	BLK	S	MIN
		FG	FGA	FG	FGA			O	D	T							
14	Burden, Donna	4	6	0	0	0	0	0	0	0	2	8	0	1	0	1	13
24	Whitten, Steph.	0	1	0	0	1	1	2	1	3	1	1	0	3	1	3	14
34	Hawes, Kerri	2	4	0	0	0	0	1	3	4	0	4	0	1	0	0	15
10	Carter, Missy	1	6	0	0	3	6	0	0	0	1	5	3	1	0	1	16
12	Riley, Debra	5	6	0	0	0	0	3	1	4	1	10	0	1	0	0	15
54	Johnson, M.	0	0	0	0	0	0	0	0	0	1	0	0	0	0	0	6
42	Burdin, Rachael	0	0	0	0	0	0	0	0	0	0	0	1	0	0	0	1
TEAM								1		1							
TOTALS		12	23	0	0	4	7	6	6	12	6	28	4	7	1	5	80

Percentages:	HALF-----	FG	12/ 23	52.2%	3-PT.	0/ 0	0.0%	FT	4/ 7	57.1%
	Period 1		5/ 10	50.0%		0/ 0	0.0%		3/ 6	50.0%
	Period 2		7/ 13	53.8%		0/ 0	0.0%		1/ 1	100.0%

OFFICIALS: Jan Baker, Ken Catron, Alt.-J. Cupp

Technical: None

SCORE BY PERIODS

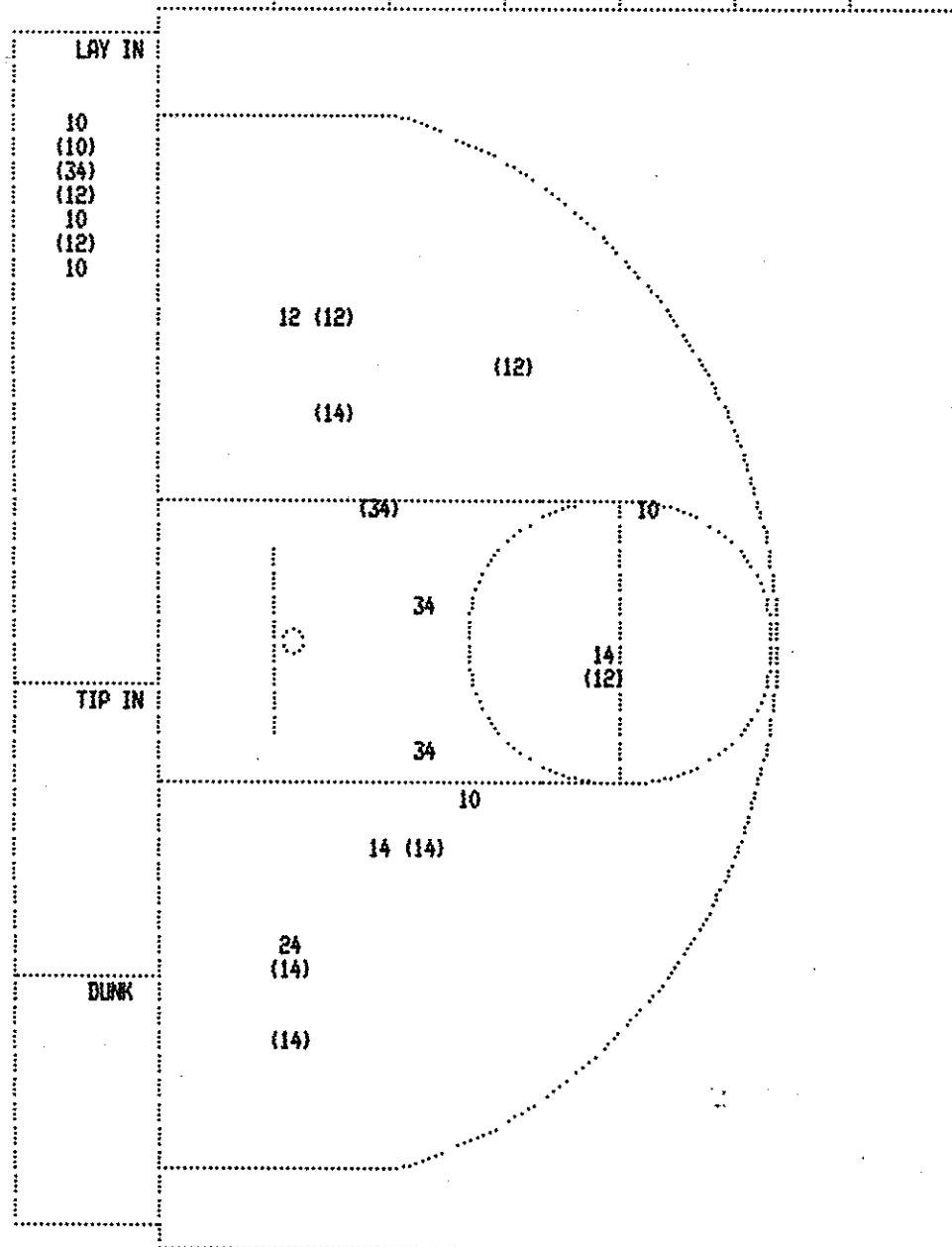
Fleming-Neon	11	13	=	24
Ohio County	13	15	=	28

Produced by the K.H.S.A.A. Stat Crew with FINAL III™

Player	Team	Ohio County	Time	Score	Flewing-Neon	Player	Team
Burden, Donna, Whitten, Steph., Hawes, Kerri, Carter, Missy, Riley, Debra					Sexton, Chris., Harlow, Kristan, Hall, Vicki, Bates, Lora, Kincer, Beth		
			4 7:42	38-42*	Ball to Lady Pirates	5-7	71.4% 19-33 57.5%
			4 7:31		5 ft Lane Jump shot by Harlow, Kristan	3	7
			4 7:31	*40-42	Assist by Kincer, Beth	3	2
1-3 33.3% 18-39 46.1%		6 ft Lane Jump shot by Whitten, Steph.	4 6:51		Foul on Harlow, Kristan		
1	6	Assist by Hawes, Kerri	4 6:51	*42-42	Foul on Bates, Lora	3	3
2-2 100% 6-9 66.6%		Burden, Donna, 2 Free Throws made both	4 6:26		Foul on Kincer, Beth	3	4
4	4	Player Control Foul on Burden, Donna	4 5:44				
2	5	Sub In: Johnson, M. Out: Burden, Donna	4 5:44				
		Foul on Riley, Debra	4 5:27				
1-1 100% 19-41 46.3%		7 ft Left Side Bank by Johnson, M.	4 5:27	42-44*	Harlow, Kristan, 2 Free Throws made both	3-4	75.0% 6-9 66.6%
1	7	Assist by Riley, Debra	4 5:10	*44-44			
			4 4:53	44-46*	17 ft Left Side Jump shot by Bates, Lora	4-9	44.4% 20-35 57.1%
2-4 50.0% 20-42 47.6%		18 ft Left Base Line Jump shot by Whitten, Steph.	4 4:29	*46-46	Assist by Kincer, Beth	4	8
2	8	Assist by Riley, Debra	4 4:19				
2	6	Foul on Carter, Missy	4 4:19	46-48*	Kincer, Beth, 1 & Bonus made both	2-3	66.6% 8-11 72.7%
			4 4:10				
		REB: 19 A: 8 BLK: 1 TD: 11 PF: 6	4 4:10		REB: 21 A: 8 BLK: 0 TD: 14 PF: 4		
		S: 8 FT: 6-9 66.6% FG: 20-42 47.6%	No. 1 Ohio County TIME - O U T		S: 4 FT: 8-11 72.7% FG: 20-35 57.1%		
		Sub In: Burden, Donna Out: Johnson, M.	4 4:10				
3-10 30.0% 21-43 48.8%		4 ft Lane Bank by Carter, Missy	4 4:01	*48-48			
			4 4:01		Foul on Hall, Vicki	1	5
3-7 42.8% 6-10 60.0%		Carter, Missy, 1 Free Throw missed	4 4:01				
			4 3:35		13 ft Right Side Jump shot by Sexton,		
			4 3:31		Chris., missed	4-8	50.0% 20-36 55.5%
			4 3:31		Rebound by Hall, Vicki	0-1	0-1 0-1 0-1 23
			4 3:30		10 ft Left Base Line Follow by Hall, Vicki, missed	1-2	50.0% 20-37 54.0%
D-1 Tot-1 D-1 Tot-20		Rebound by Carter, Missy	4 3:11				
4-12 33.3% 21-44 47.7%		16 ft Left Base Line Jump shot by	4 3:09				
		Burden, Donna, missed	4 3:09	*50-48			
0-1 Tot-1 D-1 Tot-21		Rebound by Hawes, Kerri	4 2:56		12 ft Lane Jump shot by Kincer, Beth, missed	6-11	54.5% 20-38 52.6%
4-6 66.6% 22-45 48.8%		Follow Layup by Hawes, Kerri, made	4 2:54				
			4 1:24		Foul on Kincer, Beth	4	6
D-1 Tot-2 D-2 Tot-22		Rebound by Hawes, Kerri	4 1:24				
			4 1:24				
		REB: 22 A: 8 BLK: 1 TD: 11 PF: 6	TIME - O U T Flewing-Neon No. 1		REB: 23 A: 8 BLK: 0 TD: 14 PF: 6		
		S: 8 FT: 6-10 60.0% FG: 22-45 48.8%			S: 4 FT: 8-11 72.7% FG: 20-38 52.6%		
5-9 55.5% 8-12 66.6%		Carter, Missy, 1 & Bonus made both	4 1:17	*52-48			
3	7	Foul on Whitten, Steph.	4 1:17				
			4 1:17	52-50*	Harlow, Kristan, 1 & Bonus made both	5-6	83.3% 10-13 76.9%
5-13 38.4% 23-46 50.0%		Layup Off Fast Break by Burden, Donna, made	4 1:04	*54-50			
2	9	Assist by Hawes, Kerri	4 0:53				
1	9	Steal by Burden, Donna	4 0:52		Bad Pass by Kincer, Beth	6	15
			4 0:47		Foul on Bates, Lora	4	7
1-2 50.0% 9-14 64.2%		Riley, Debra, 2 Shot Intentional made 1st missed 2nd	4 0:47	*55-50			
			4 0:47				
		REB: 22 A: 9 BLK: 1 TD: 11 PF: 7	No. 2 Ohio County TIME - O U T		REB: 23 A: 8 BLK: 0 TD: 15 PF: 7		
		S: 9 FT: 9-14 64.2% FG: 23-46 50.0%			S: 4 FT: 10-13 76.9% FG: 20-38 52.6%		
			4 0:32		Foul on Harlow, Kristan	4	8
2-3 66.6% 9-15 60.0%		Burden, Donna, 1 & Bonus missed 1st	4 0:32				

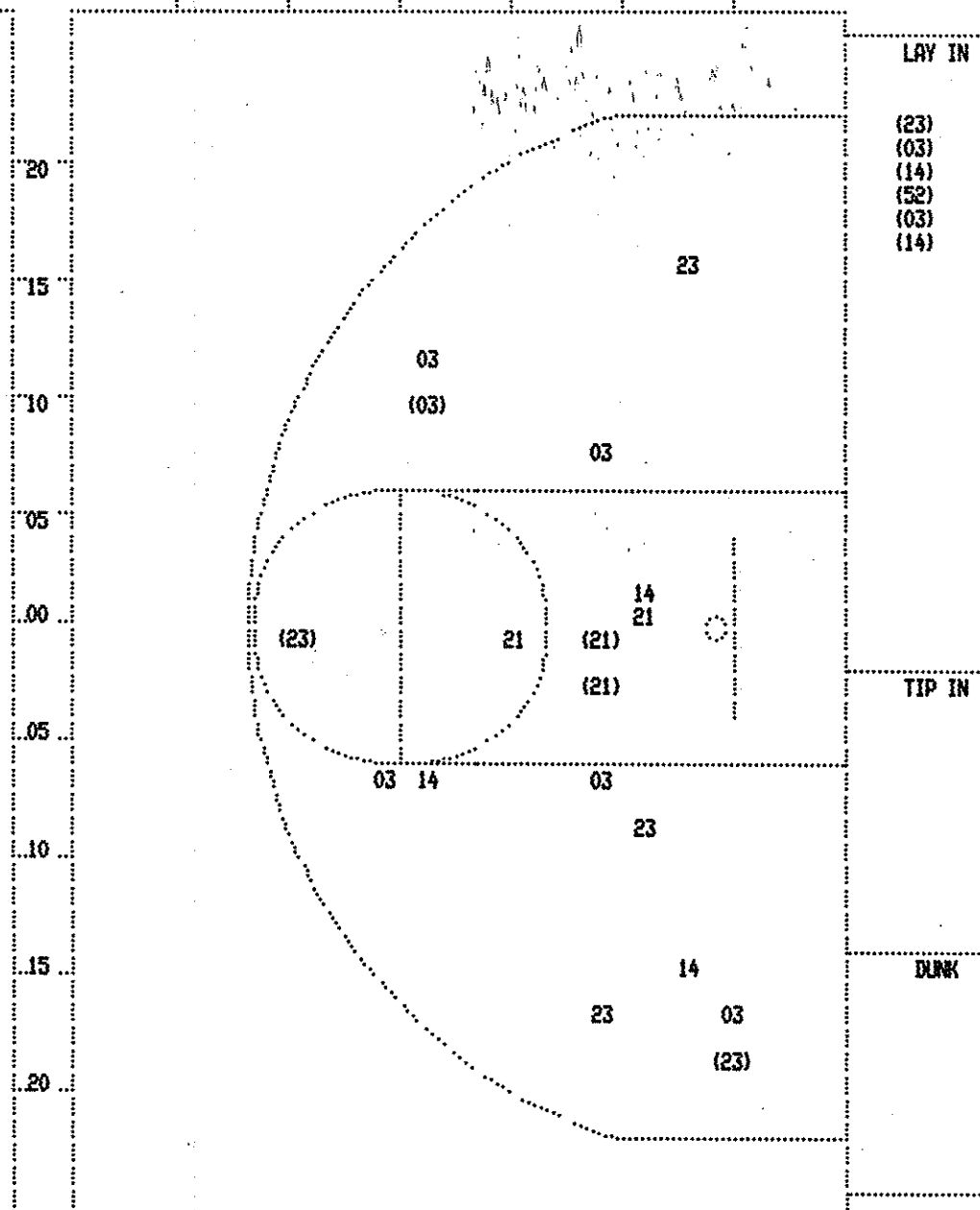
2nd Half Play by Play (continued)

Player	Team	Ohio County	Time	Score	Flewing-Neon	Player	Team	
			4 0:24		Rebound by Harlow, Kristan	D-1 Tot-1	D-1 Tot-24	
			4 0:22	55-52*	Driving Layup by Kincer, Beth, made	7-12 58.3%	21-39 53.8%	
		REB: 22 A: 9 BLK: 1 TO: 11 PF: 7 S: 9 FT: 9-15 60.0% FG: 23-46 50.0%	4 0:19			REB: 24 A: 8 BLK: 0 TO: 15 PF: 8 S: 4 FT: 10-13 76.9% FG: 21-39 53.8%		
			T I M E - O U T Flewing-Neon No. 2					
3	12	Traveling Violation on Riley, Debra	4 0:11					
4	13	Bad Pass by Riley, Debra	4 0:09					
2	10	Steal by Burden, Donna	4 0:05					
			4 0:05		Bad Pass by Kincer, Beth	7	16	
			4 0:04		Foul on Kincer, Beth	5	9	
			4 0:04		Subs In: Cook, Melissa, Vance, Jennifer, Jones, Tiffini, Sturgill, Cand., Holbrook, Rhonda			
					Out: Bates, Lora, Sexton, Chris., Harlow, Kristan, Kincer, Beth, Hall, Vicki			
4-5	80.0%	11-17 64.7%	4 0:04	*57-52	Burden, Donna, 2 Shot Intentional made both			
5-14	35.7%	23-47 48.9%			3 pt 21 ft Left Side Jump shot by Burden, Donna, missed			
0-1	Tot-1	0-2 Tot-23	4 0:00		Rebound by TEAM			
			4 0:00					



**Ohio County**

Player	Player	Player	Player
14 - Burden, Do	4 / 6	66.6%	
24 - Whitten, S	0 / 1	0.0%	
34 - Hawes, Ker	2 / 4	50.0%	
10 - Carter, Mi	1 / 6	16.6%	
12 - Riley, Deb	5 / 6	83.3%	
Layups	1-9 Ft	10-15 Ft	Over 15 Ft 3 Pointers Total
4 / 7	2 / 6	5 / 9	1 / 1
57.1%	33.3%	55.6%	100.0%
			12 / 23
			52.2%



**Fleming-Neon**

Player	Player	Player	Player
14 - Sexton, Ch	2 / 5	40.0%	
21 - Harlow, Kr	2 / 4	50.0%	
52 - Hall, Vick	1 / 1	100.0%	
03 - Bates, Lor	3 / 8	37.5%	
23 - Kincer, Be	3 / 6	50.0%	
Layups	1-9 Ft	10-15 Ft	Over 15 Ft 3 Pointers Total
6 / 6	2 / 8	0 / 3	3 / 7
100.0%	25.0%	0.0%	42.9%
			11 / 24
			45.8%